

KFC-P521

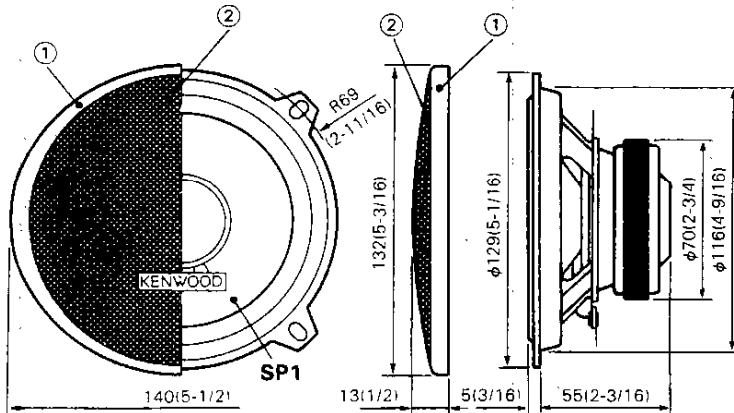
SERVICE MANUAL

KENWOOD

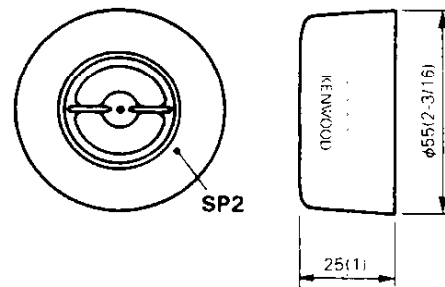
©1990-5 PRINTED IN JAPAN
B51-6193-00(T) 1230

EXTERNAL VIEW

Mid-Range

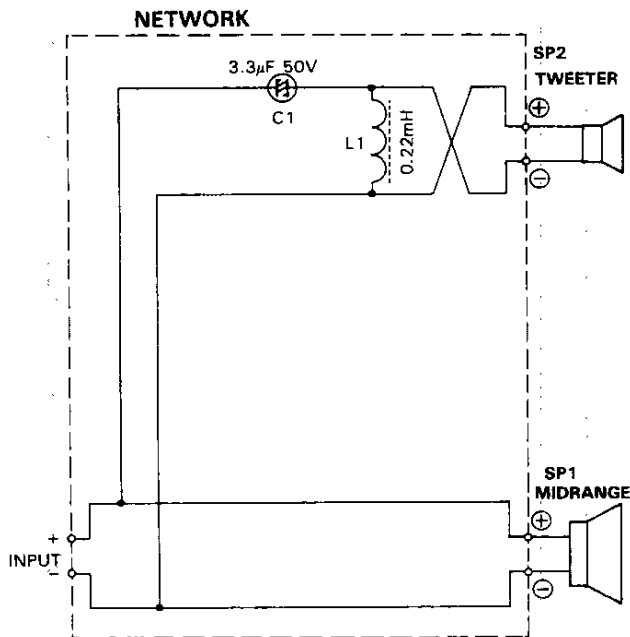


Tweeter



UNIT: mm (inch)

SCHEMATIC DIAGRAM



SPECIFICATIONS

Mid-Range.....	13 cm (5 in)
	Cone Type
	150 g (5.3 oz) Magnet
Peak Power	150 Watts
Sensitivity	90 dB/W at 1 m
Frequency Response.....	60 Hz ~ 9,000 Hz
Resonant Frequency (Fo).....	120 Hz
Impedance	4 Ohms
Weight per Speaker	0.5 kg (1.1 lb)/Pc.
Tweeter	2.5 cm (1 in)
	Balanced Dome Type
Peak Power	150 Watts
Sensitivity	93 dB/W at 1 m
Frequency Response.....	3,500 Hz ~ 20,000 Hz
Impedance	4 Ohms
Weight Per Speaker.....	0.1 kg (0.22 lb)/Pc.

(KENWOOD follows a policy of continuous advancements in development. For this reason specifications may be changed without notice.)